

Aseptic shut-off valve AV / AVBS Aseptic change-over valve UV

Functionality

Aseptic shut-off valves are used for the monitored control of fluids in aseptic processing plants. A welded stainless steel folding bellow is used to hermetically seal the valve spindle from outside contamination. This special design and the durable valve seat seal made of Tefasep® enables optimum process security. Aseptic change-over (divert) valves have similar design features and are used for the monitored shut-off and change-over of branched pipelines.

Use

- Valves are designed for use in the food, dairy and beverage, pharmaceutical, chemical, and cosmetics industries
- Used as a safe, reliable, and robust flow control device in aseptic process and production plants
- The modular design allows integration into diverse process applications
- Operating temperatures up to +150°C (+302°F), optionally increased up to +240°C (+464°F)
- CIP (Cleaning-In-Place) and SIP (Sterilizing-In-Place) capable, up to +160°C (+320°F)
- Suitable for applications with caustic / toxic products

Design Characteristics

- Modular design, consisting of the three main components: housing, internal assembly, and actuator
- The actuator and internal assembly are connected to the housing with a three-piece clamp
- Low-maintenance, service-friendly, and hygienic design
- All product contact surfaces are made of AISI 316L stainless steel (materials certificate available upon request) with a surface finish of 0.8 µm Ra that meets all common hygienic standards
- Complete actuator made of stainless steel
- Customer-specific materials and surface finishes available upon request
- Valve connections can be provided with aseptic flanges, screw connections, or clamps

Valve Housing

Housings for shut-off valves are available in standard or bottom-seat variants with two or three port connections each. A change-over valve contains two housings. The lower housing is available with two or three port connections and the upper housing with one or two port connections. The valves are produced with standard butt-weld connections by default.

Internal Assembly

The internal assembly is available with a shrunk-on or screwed-on valve seat seal. In addition to the standard sealing material Tefasep®, other material options (PTFE, EPDM, Viton etc.) are available.

Actuator

The standard version of the pneumatic actuator is designed as spring-closing / air-opening (NC). Other available options include: air-closing / spring-opening (NO), air-closing / air-opening (LL), or with additional venting function (AZ). In addition, both valve types are available with a manual actuator (HK).

Dimensions of the pipe connections (acc. to DIN 11866)

DN	15	25	40	50	65	80	100	125	150
DIN 11866 A (DIN 11850)									
Dim. Ø x s (mm)	19x1.5	29x1.5	41x1.5	53x1.5	70x2	85x2	104x2	129x2	154x2
DIN 11866 B (ISO)									
Dim. Ø x s (mm)	21.3x1.6	33.7x2	48.3x2	60.3x2	76.1x2	88.9x2.3	114.3x2.3	139.7x2.6	168.3x2.6
	¾"	1"	1½"	2"	2½"	3"	4"		6"
DIN 11866 C (OD)									
Dim. Ø x s (mm)	19.05x1.65	25.4x1.65	38.1x1.65	50.8x1.65	63.5x1.65	76.2x1.65	101.6x2.11		152.4x2.77
Dim. Ø x s (inch)	0.75x0.065	1.0x0.065	1.5x0.065	2.0x0.065	2.5x0.065	3.0x0.065	4.0x0.083		6.0x0.11

Dimensions of the aseptic shut-off valve AV

DN	15	25	40	50	65	80	100	125	150
D1	70	86	86	106	106	144	190	267	267
L1	243	273	288	367	367	444	372.5	600	600
L2	325	350	385	505	505	555	520	795	795
L3	40	60	75	90	90	100	135	170	170
L4	29.5	38.5	44.5	54.5	63	75.5	90	105	118.5

Other nominal diameters available upon request

Dimensions of the aseptic bottom-seat valve AVBS

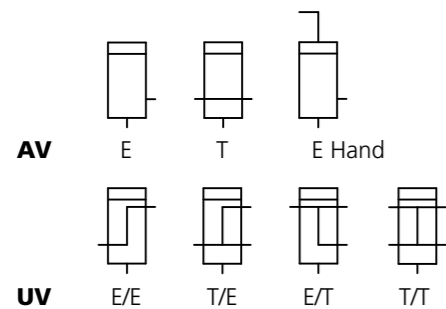
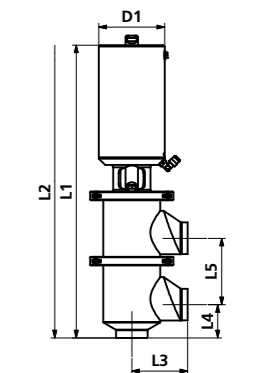
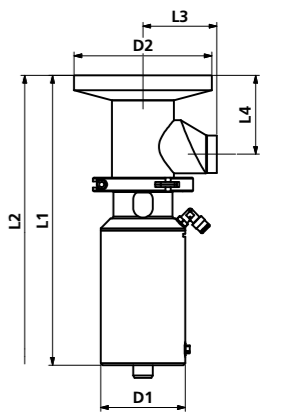
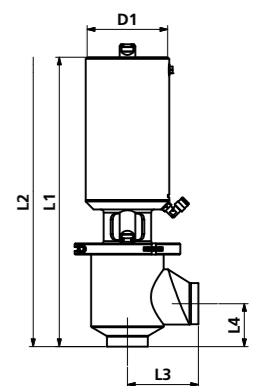
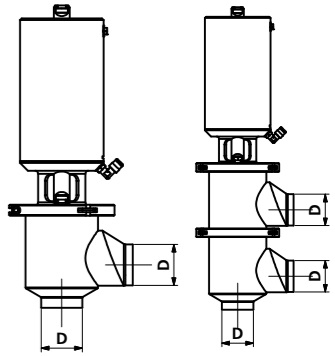
DN	15	25	40	50	65	80	100	125
D1	70	86	86	106	106	144	190	267
D2	64	75	75	185	185	220	250	340
L1	237.5	270.5	294.5	371.5	371.5	448.5	394	620
L2	330	370	390	490	490	605	585	880
L3	40	60	75	90	100	130	135	170
L4	51	60.7	78.45	91.25	82.5	100	116	180

Other nominal diameters and bottom-seat versions available upon request

Dimensions of the aseptic change-over valve UV

DN	15	25	40	50	65	80	100
D1	70	86	86	106	106	144	190
L1	329.5	353.5	377	472	472	569	512
L2	420	480	500	610	610	730	670
L3	40	60	75	90	90	100	135
L4	29.5	38.5	44.5	54.5	63	75.5	90
L5	68.5	74.5	89	107	107	125	139.5

Other nominal diameters available upon request



Aseptic shut-off valve with manual actuator



Aseptic shut-off valve with pneumatic actuator



Aseptic bottom-seat valve with pneumatic actuator (welding flange)



Aseptic change-over valve with pneumatic actuator

